

INSTALLATION: (see the diagram)

INSTALLATION:

1. All electrical installations must be carried out by suitably qualified and registered electrician.
2. Always isolate mains power prior to installation.
3. Remove cover by checking the notch on LDR side as shown in Fig1.
4. Use the base to mark the drill holes on the mounting surface.
5. Drill holes and insert the wall plugs if required
6. Feed power cable and load cable through base holes and securely affix base.
7. Connect the power wire and the load wire to the connection terminal according to the electrical connection Fig 3. Do not exceed the max rated load.
8. Replace and secure base cover, Calibrate Figure 3. and replace the front cover.

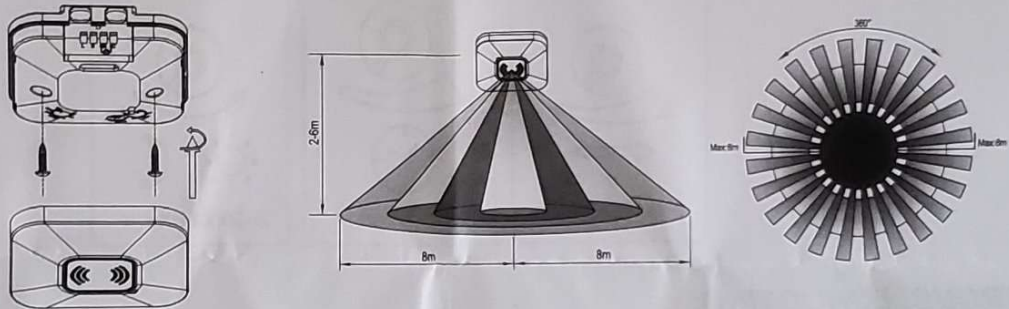


Fig. 2

CONNECTION-WIRE DIAGRAM:

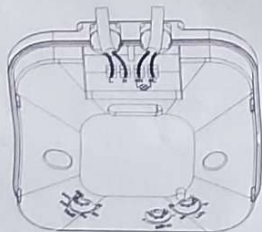


Fig. 3

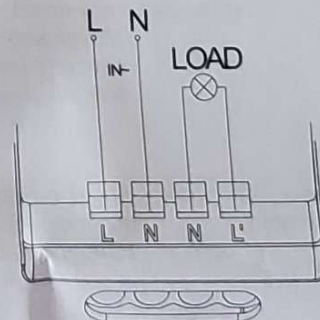


Fig. 4

Connect **N** and **L** with power
Connect **N** and **L1** to the load.

1. Connect phase to **L** and Neutral to **N**.
2. Connect Load to **L1** and Neutral to **N**.
3. For Phase you can take wire color coding as red and for neutral you can take wire color coding as black.
4. Maximum Load can be attached is **800W**, if the load is incandescent Lamp.
5. If the load is Led Type, then the maximum Load can be attached is **400W**.

CALIBRATION:

1. Reach setting (Sensitivity)

Reach is the term used to describe the diameter of the more or less circular detection zone produced on the ground after mounting the sensor at a height of 2.5 to 6m.

Turn the reach control fully anti-clockwise to select minimum reach (approx. 2m dia), and fully clockwise to select maximum reach (approx. 16m dia). Adjust according to locations and site requirements.

2. Time Setting:

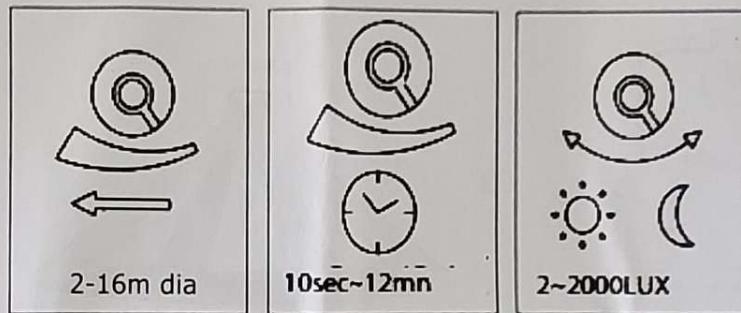
The light can be set to stay ON for any period of time between approx. 10sec (turn fully anticlockwise) and a maximum of 12min (turn fully clockwise). Any movement detected before this time elapse will restart the timer. It is recommended to select the shortest time for adjusting the detection zone and for performing the walk test.

3. Light Control Setting:

The chosen light response threshold can be adjusted from approx. 2-2000 lux. Turn it fully anti-clockwise to select dusk-to-dawn operation at about 2 lux.

Turn it fully clockwise to select continuous daylight operation.

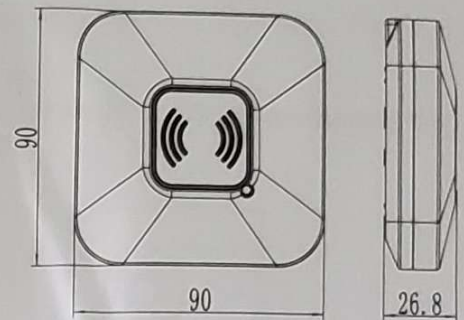
The knob must be turned fully clockwise when adjusting the detection zone and performing the walk test in daylight, then adjust setting according to site requirement.



TROUBLESHOOTING:

Malfunction	Cause	Remedy
The load will not work	Wrong light control selected Load faulty Mains is switched OFF	Adjust Setting Change Load Switch ON
The load is always on	Continuous movement in detection zone	Check zone setting
The load is ON without any identifiable movement	The sensor not mounted for detecting movement reliably Movement occurred, but not identified by the sensor (movement behind wall, movement of a small object in immediate lamp vicinity etc)	Securely mount enclosure Check zone setting
The load will not work despite movement	Rapid movements are being suppressed to minimize malfunctioning or the detection zone you have set is too small	Check zone setting.

NANO16 MOTION SENSOR DATASHEET INSTRUCTION MANUAL



Instruction

SUMMARY:



The product is a new energy saving switch; it adopts microwave sensor with high-frequency electro-magnetic wave (5.8GHz) and integrated circuit. It gathers automatism, convenience, safety, saving-energy and practical functions. The wide detection field depends on detectors. When one enters the detection field, it can start the load at once and identify automatically day and night. Its installation is very convenient and its using is very wide. Detection is possible to go through doors, panes of glass or thin walls. This is an ultra-reliable sensor, especially as there are no gaps in the detection zone.



Figure 1.

SPECIFICATIONS:

1. Power Sourcing: 220 -240V/AC
2. Detection Range: 360°
3. Power Frequency: 50/60Hz
4. Detection Distance: 2-16m dia (adjustable)
5. Ambient Light: <3-2000LUX (adjustable)
6. HF System: 5.8GHz CW radar, ISM band
7. Time Delay: Min. 10sec±3sec Max.12min±1min
8. Transmission Power: <0.2mW
9. Installing Height: 2-6 m
10. Weatherproof Rating: IP20
11. Warranty: 3 Years

12. Rated Load: 800W 
400W 

13. Power Consumption:0.9W
14. Detection Motion Speed:0.6-1.5m/s
15. No of Wires: 4 Wire