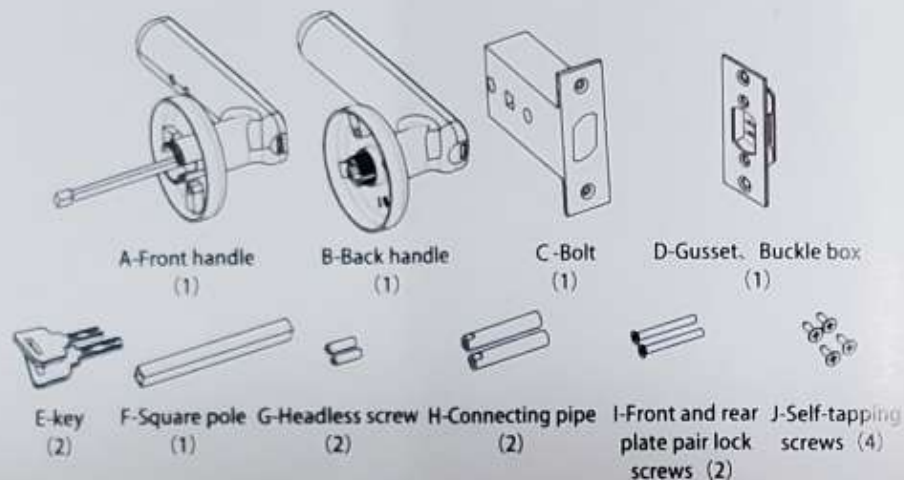


Installation manual of single tongue lock

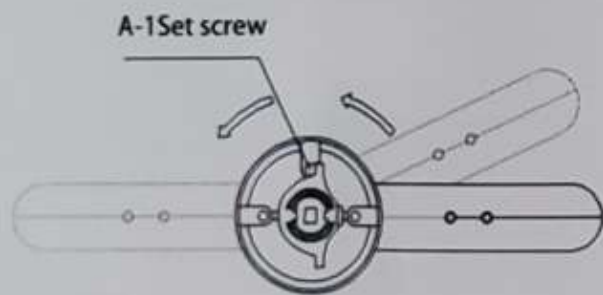
一、Check accessories

After unpacking the product, check whether the following accessories are complete



二、Adjust the handle direction

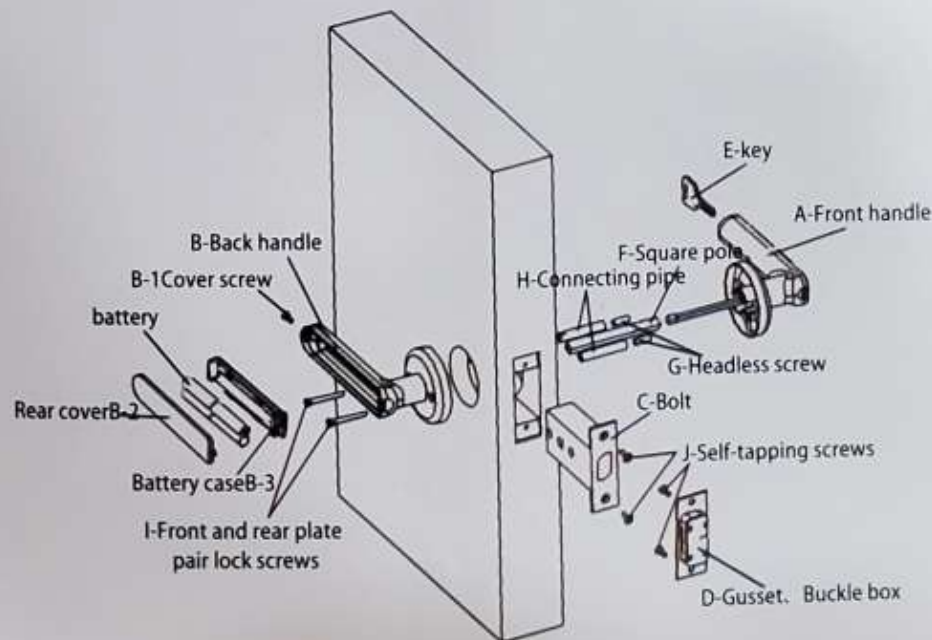
Adjust the handle direction according to the door opening direction. If you need to adjust as shown below: Loosen the positioning screws on the panel (1-A), Rotate the handle 180 degrees, then tighten the adjusting screw.



Schematic diagram of handle replacement direction

三、Install the door lock

1. Use the self-tapping screw (J) to fix the bolt (C) and the gusset box (D) on the door that has opened the corresponding hole.
2. Screw the headless screw (G) and the connecting tube (H) to the front handle panel (A) in turn. Insert the square bar (F) through the power cord into the square hole of the front handle (A).
3. Install the front handle assembly with accessories on the door, and pass the square bar (F) and the power cord through the square hole of the bolt (C).
4. Loosen the cover screw (B-1) of the rear handle (B), and take out the rear cover (B-2) and battery box (B-3).
5. Install the rear handle (B) on the door correspondingly. The power cord and the square bar on the front handle correspond to the square hole of the rear handle. Use two front and rear plate pair locking screws (I) to lock the rear handle and the front handle.
6. Insert the power cord plug into the battery box (B-3). And install 4 AAA alkaline batteries. At this time, the administrator and user can be entered through the buttons on the battery box (refer to the instruction manual)
7. After the setting is completed, put the battery box (B-3), and the excess power cord in the rear handle, and close the rear cover (B-2), and set the cover screw (B-1) to the rear. Tighten the cover. The installation is complete.



TTLOCK Bluetooth fingerprint lock operating instructions

一、Function

1. Bluetooth unlock on phone
2. Remote Distribution of electronic keys
3. password unlock
4. Fingerprint unlock
5. Lock-picking records Surveillance

二、Performance parameter

Bluetooth Standard: Bluetooth 4.1 BLE
 Supported Cell phone system: Android 4.3 / IOS 7.0 以上
 Power supply mode: 4 Alkali-saving dry cell / Low Electricity alarm voltage: 4.8V
 Voltage range: 4.5-9V / Standby Current: 65 microamperes
 Operating Current: Less than 200 ma / Lock-picking time: ≈ 1.5 s
 Operating temperature range: -20-70°C / touch key Types: Capacitive touch key
 Number of passwords: Custom and permanent passwords: 150
 Other dynamic passwords: 150

Lock pick mode: APP, passwords, fingerprints, mechanical keys
 Motor interface output voltage: Battery voltage reduction 0.3V
 Fingerprint head type: Semiconductor fingerprint head
 Fingerprint capacity: 50 fingerprints
 False Accept Rate: < 0.001% / False Reject Rate: < 1.0%

三、Open lock

Verify success \rightarrow green light, and "drip" a voice.
 Failure to verify \rightarrow red light, and a continuous urgent: "Drip, drip, drip" voice."

四、OFF Lock

After the lock is opened, the lock is closed by 5S.

五、Low Electricity Quantity Reminder

When the battery is low, after the success of the lock will be issued a continuous rapid: "Di, di, di" voice." There is a battery indicator on the phone APP, and a low battery indicator appears when the phone is unlocked using Bluetooth. Can Still Open the lock 100 times after appearing the low electricity prompt. Please replace the batteries to avoid affecting the normal use.

六、Fingerprint setup and user management

1. Search for the "TTLOCK" APP on your phone, download it and open it on your phone.



2. Open the phone Bluetooth, in the "lock all" APP, Click the "+" number, select the "lock", touch wake up the door lock, the phone will jump out of the door lock name, click add to become the door lock administrator.



3. You can open the door directly by clicking on the "unlock" icon.



4. Click on the "fingerprint" icon and click on the option in the upper right corner, you can add fingerprints; according to the screen display operation.



5. Click "send the key" and grant administrator" to add users and administrators, according to the screen prompt for action.



七、Set passwords and delete passwords

Click "get password" on the APP, select the password type: custom selection validity period, click to set the password to enter the need to add the password., according to the screen display operation. Click "password management" on the APP, click the password to be deleted, click delete, according to the screen operation.



八、Remove fingerprints and devices

1. Click on the fingerprint on the APP, click on the fingerprint to be deleted, click on delete according to the prompt on the screen.



2. Select the lock in the APP that requires you to remove the phone's administrator, click settings, and click delete. Follow the instructions on the screen.



九、Check Lock picking records

Select the lock on the APP, Click on the operating record to view, click on the APP a fingerprint, Password, click on the operating record, view the fingerprint and Password of all records.



十、Restore factory settings

Four seconds after long pressing the reset button on the lock, two clicks are heard. The lock has been reset to factory settings, and all fingerprints, passwords, and phone administrators are cleared out.